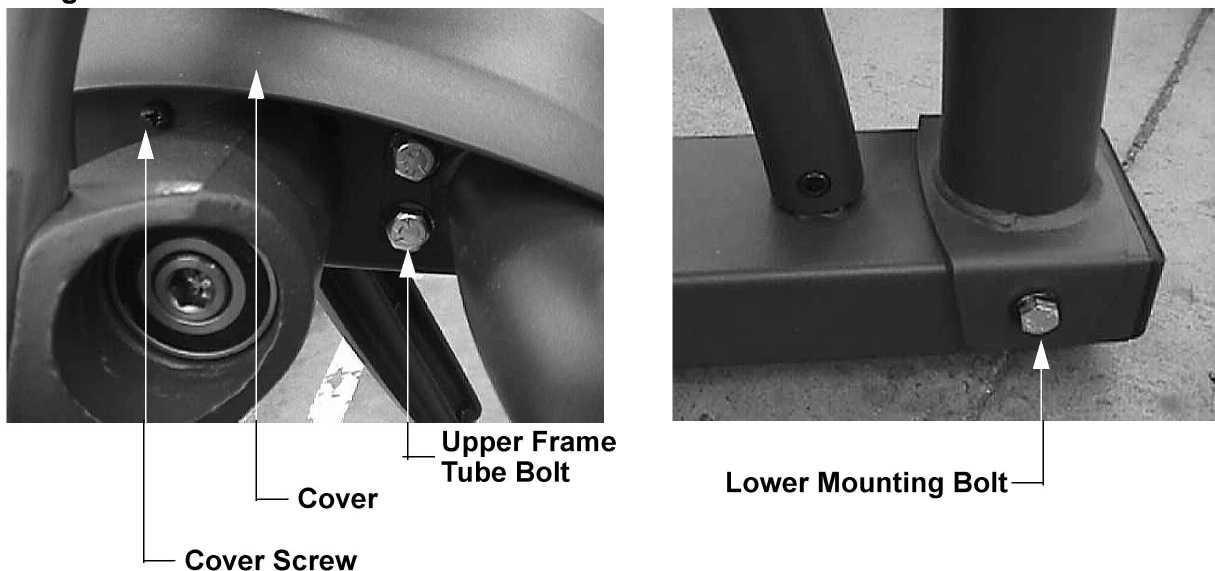


Procedure 7.18 - Replacing a Main Column

1. Procedure

1. Remove the rear cover and disconnect the red battery lead from terminal M6 of the lower PCA.
2. Attach the anti-static wrist strap to your arm, then connect the ground lead of the wrist strap to the EFX frame.
3. Remove the four screws that secure the display housing front panel to the display backing plate.
4. Disconnect the heart rate cable (connector J1) and upper interconnect cable (connector J5) from the upper PCA. Remove the display housing front panel.
5. Remove the four screws that fasten the display backplate to the upper main column. Remove the display housing backplate.
6. Pry the end cap out the front of the frame base tube with a thin bladed screwdriver (See Diagram 7.4).
7. Carefully withdraw both cables and mid-point connector. Disconnect the upper interconnect cable from the mid-point connector. Carefully draw the upper interconnect cable out of the upper end of the main column. Set the cable aside to be re-installed later.
8. Remove the two screws that fasten the cover near the middle of the main column. Remove the cover.

Diagram 7.13 - Main Column



9. Unthread the right hand upper pivot from the main column with a 7/16" allen wrench. A 7/16" hex key bit that fits your torque wrench will be required in step 16. Rotate the handlebar with upper pivot forward until it rests on the floor.
10. Repeat the procedure in step 9 with the left hand upper pivot and handlebar.
11. Remove the left and right frame tube per Procedure 7.26, steps 1-4.
12. Remove the two bolts and washers that fasten the bottom of the main column to the frame base. Remove the main column.
13. Feed the upper interconnect cable into the replacement main column so that an end of the cable protrudes from both ends of the main column.
14. Set the main column at it's mounting location with the lower end of the upper interconnect cable in the access hole in the frame base. Replace bolts and washers removed in step 12 and torque them to 240 in./lbs.
15. Replace the left and right frame tubes per Procedure 7.26, steps 5-7.
16. Rotate the right hand handlebar with upper pivot into it's mounting position. Thread the upper pivot into the main column and torque it to 100 ft./lbs.
17. Repeat the procedure in step 16 with the left hand handlebar and upper pivot.
18. Replace the cover with the hardware removed in step 8.
19. Connect the lower end of the upper interconnect cable to the mid-point connector. Careful push the mid-point connector and cables into the frame tube. Replace the end cap.
20. Feed the upper end of the upper interconnect cable through access hole in the display housing backplate. Set the display housing backplate at it's mounting position and fasten it with the screws removed in step 5.
21. Connect the upper interconnect cable to the J5 connector on the upper PCA. Set the display housing front panel at it's mounting location and fasten it with the hardware removed in step 3.
22. Replace the red battery lead removed in step 1 and check unit operation as described in Section Four.